

TO-92S Plastic-Encapsulate Transistors

2SC2668 TRANSISTOR (NPN)

FEATURES

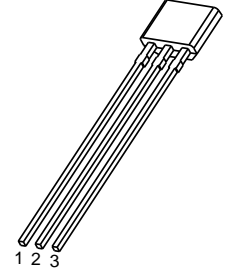
- Small Reverse Transfer Capacitance
- Low Noise Figure

MAXIMUM RATINGS (T_a=25°C unless otherwise noted)

Symbol	Parameter	Value	Unit
V _{CBO}	Collector-Base Voltage	40	V
V _{CEO}	Collector-Emitter Voltage	30	V
V _{EBO}	Emitter-Base Voltage	4	V
I _C	Collector Current -Continuous	20	mA
P _C	Collector Power Dissipation	200	mW
T _J	Junction Temperature	150	°C
T _{stg}	Storage Temperature	-55-150	°C

TO-92S

1. EMITTER
2. COLLECTOR
3. BASE



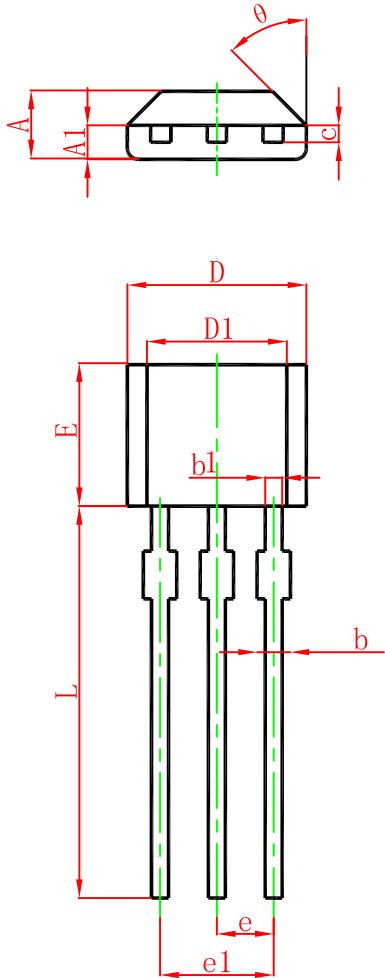
ELECTRICAL CHARACTERISTICS (T_a=25°C unless otherwise specified)

Parameter	Symbol	Test conditions	Min	Typ	Max	Unit
Collector-base breakdown voltage	V _{(BR)CBO}	I _C = 100μA, I _E = 0	40			V
Collector-emitter breakdown voltage	V _{(BR)CEO}	I _C = 1mA, I _B = 0	30			V
Emitter-base breakdown voltage	V _{(BR)EBO}	I _E = 100μA, I _C = 0	4			V
Collector cut-off current	I _{CBO}	V _{CB} = 40V, I _E = 0			0.5	μA
Emitter cut-off current	I _{EBO}	V _{EB} = 4V, I _C = 0			0.5	μA
DC current gain	h _{FE}	V _{CE} = 6V, I _C = 1mA	40		200	
Reverse Transfer Capacitance	C _{re}	V _{CE} = 6V, f = 1MHz		0.7		pF
Collector-Base Time Constant	C _C · r _{bb} '	V _{CE} = 6V, I _E = -1mA, f = 30MHz			30	ps
Transition frequency	f _T	V _{CE} = 6V, I _C = 1mA		550		MHz
Power Gain	G _{pe}	V _{CC} = 6V, I _C = 1mA, f = 100MHz		18		dB
Noise figure	NF	V _{CC} = 6V, I _C = 1mA, f = 100MHz			5	dB

CLASSIFICATION OF h_{FE}

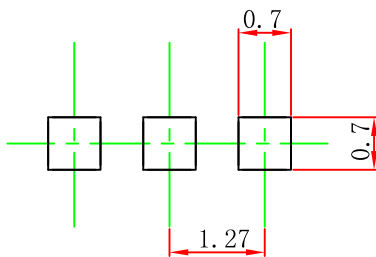
Rank	R	O	Y
Range	40-80	70-140	100-200

TO-92S Package Outline Dimensions



Symbol	Dimensions In Millimeters		Dimensions In Inches	
	Min.	Max.	Min.	Max.
A	1.420	1.620	0.056	0.064
A1	0.660	0.860	0.026	0.034
b	0.330	0.480	0.013	0.019
b1	0.400	0.510	0.016	0.020
c	0.330	0.510	0.013	0.020
D	3.900	4.100	0.154	0.161
D1	2.280	2.680	0.090	0.106
E	3.050	3.250	0.120	0.128
e	1.270 TYP.		0.050 TYP.	
e1	2.440	2.640	0.096	0.104
L	15.100	15.500	0.594	0.610
θ	45° TYP.		45° TYP.	

TO-92S Suggested Pad Layout



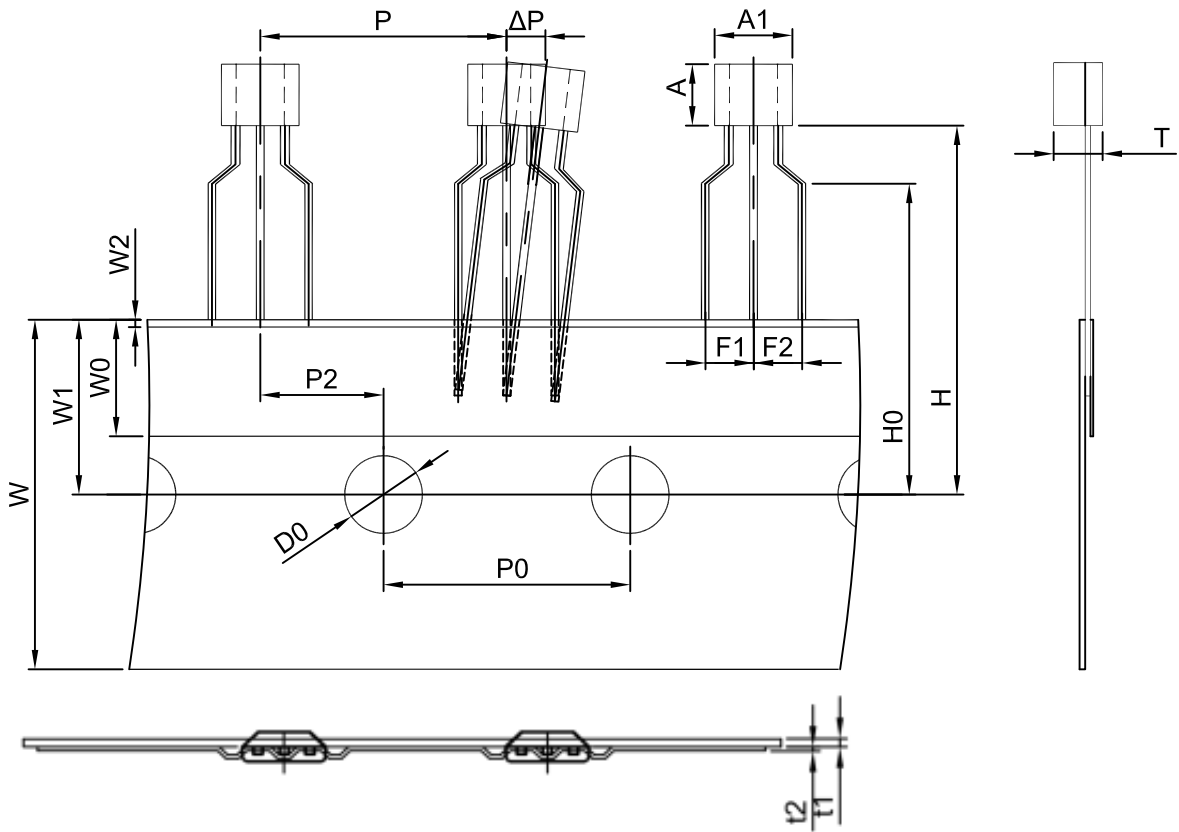
Note:

1. Controlling dimension: in millimeters.
2. General tolerance: ± 0.05 mm.
3. The pad layout is for reference purposes only.

NOTICE

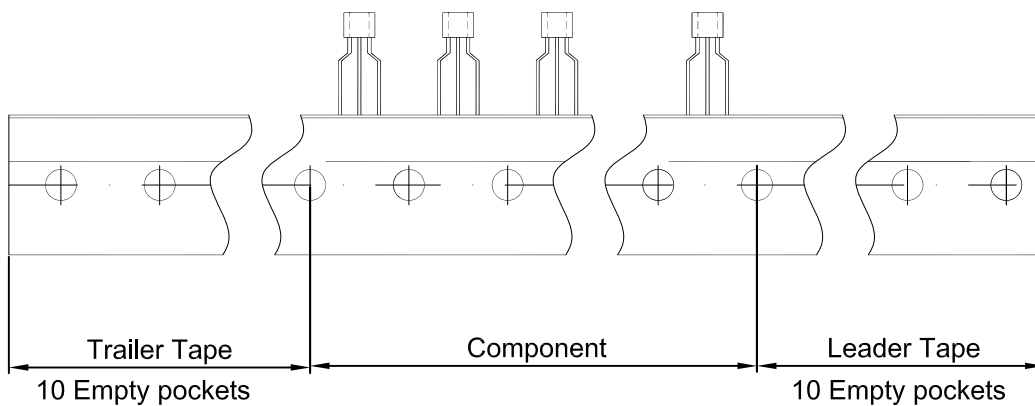
JCET reserve the right to make modifications, enhancements, improvements, corrections or other changes without further notice to any product herein. JCET does not assume any liability arising out of the application or use of any product described herein.

TO-92S PACKAGE TAPEING DIMENSION



Dimensions are in millimeter

A1	A	T	P	P0	P2	F1	F2	W
4.0	3.15	1.52	12.7	12.7	6.35	2.5	2.5	18.0
W0	W1	W2	H	H0	D0	t1	t2	ΔP
6.0	9.0	1.0	19.0	16.0	4.0	0.4	0.2	0



Package	Box	Box Size(mm)	Carton	Carton Size(mm)
TO-92S	3000 pcs	333×162×43	30,000 pcs	350×340×250