

TO-92 Plastic-Encapsulate Transistors

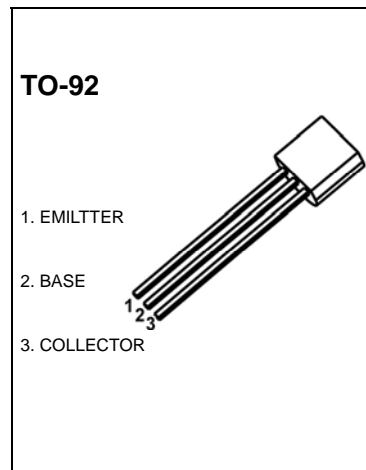
2N4403 TRANSISTOR (PNP)

FEATURES

Power dissipation

MAXIMUM RATINGS (T_a=25°C unless otherwise noted)

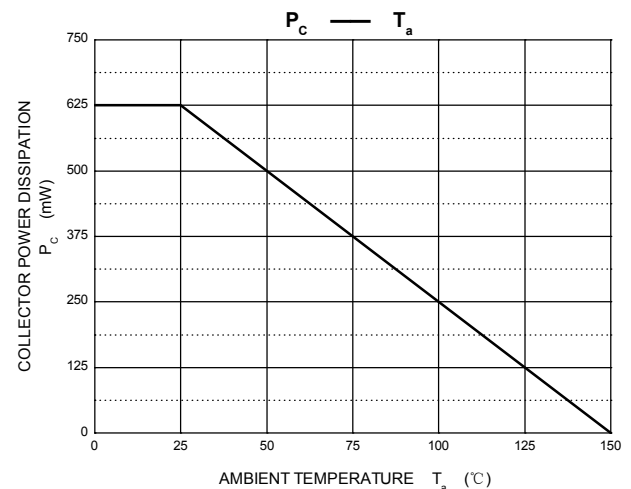
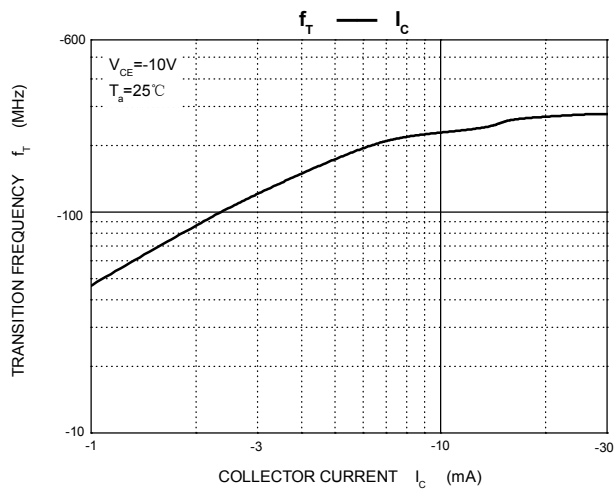
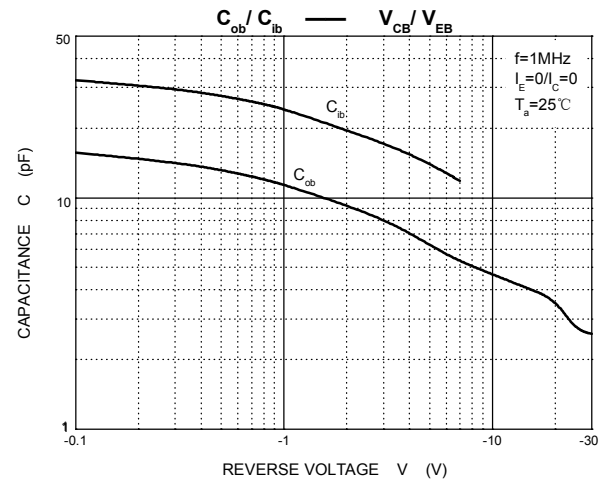
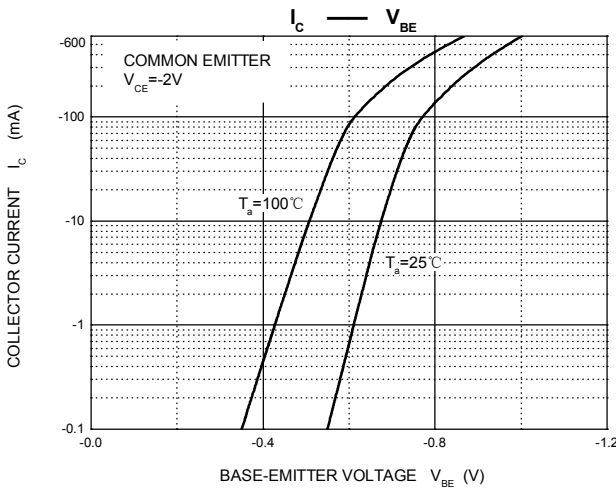
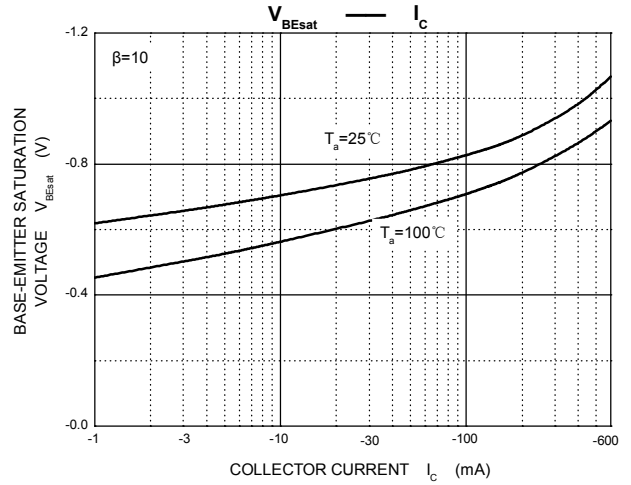
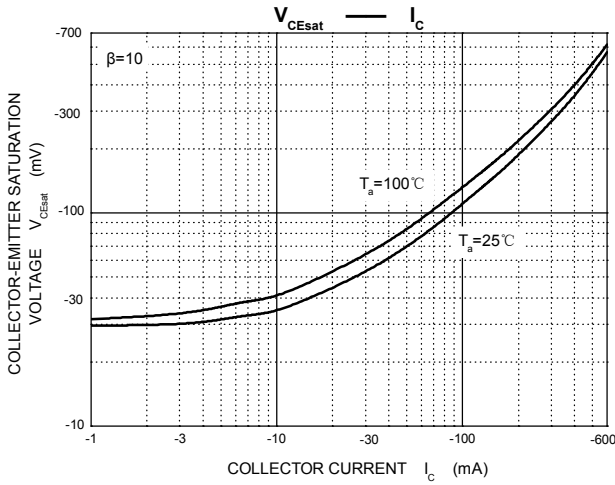
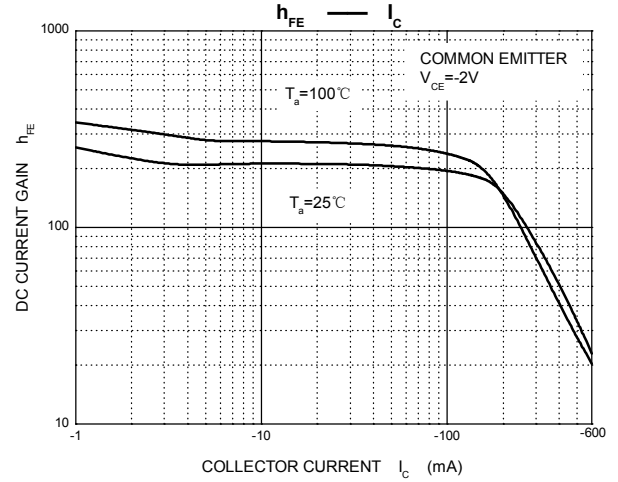
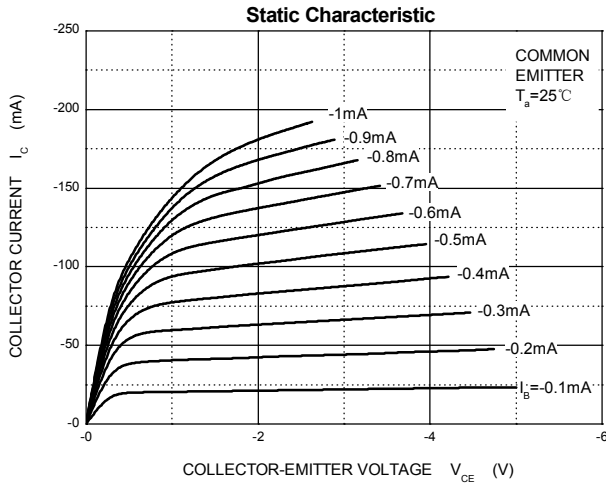
Symbol	Parameter	Value	Unit
V _{CB0}	Collector-Base Voltage	-40	V
V _{CE0}	Collector-Emitter Voltage	-40	V
V _{EB0}	Emitter-Base Voltage	-5	V
I _C	Collector Current -Continuous	-600	mA
P _C	Collector Power dissipation	0.625	W
T _J	Junction Temperature	150	°C
T _{stg}	Storage Temperature	-55 ~ +150	°C
R _{θJA}	Thermal Resistance, junction to Ambient	200	°C/W



ELECTRICAL CHARACTERISTICS (T_a=25°C unless otherwise specified)

Parameter	Symbol	Test conditions	Min	Typ	Max	Unit
Collector-base breakdown voltage	V _{(BR)CBO}	I _C =-100μA, I _E =0	-40			V
Collector-emitter breakdown voltage	V _{(BR)CEO}	I _C =-1mA, I _B =0	-40			V
Emitter-base breakdown voltage	V _{(BR)EBO}	I _E =-100μA, I _C =0	-5			V
Collector cut-off current	I _{CB0}	V _{CB} =-35V, I _E =0			-100	nA
Emitter cut-off current	I _{EBO}	V _{EB} =-5V, I _C =0			-100	nA
DC current gain	h _{FE(1)}	V _{CE} =-1V, I _C =-0.1mA	30			
	h _{FE(2)}	V _{CE} =-1V, I _C =-1mA	60			
	h _{FE(3)}	V _{CE} =-1V, I _C =-10mA	100			
	h _{FE(4)}	V _{CE} =-2V, I _C =-150mA	100		300	
	h _{FE(5)}	V _{CE} =-2V, I _C =-500mA	20			
Collector-emitter saturation voltage	V _{CE(sat)1}	I _C =-150mA, I _B =-15mA			-0.4	V
	V _{CE(sat)2}	I _C =-500mA, I _B =-50mA			-0.75	V
Base-emitter saturation voltage	V _{BE(sat)1}	I _C =-150mA, I _B =-15mA	-0.75		-0.95	V
	V _{BE(sat)2}	I _C =-500mA, I _B =-50mA			-1.3	V
Transition frequency	f _T	V _{CE} =-10V, I _C =-20mA, f=100MHz	200			MHz
Collector capacitance	C _{ob}	V _{CB} =-10V, I _E =0, f=100KHz			8.5	pF
Delay time	t _d	V _{CC} =-30V, I _C =-150mA I _{B1} =- I _{B2} =-15mA			15	nS
Rise time	t _r				20	nS
Storage time	t _s				225	nS
Fall time	t _f				30	nS

Typical Characteristics



TO-92 Package Outline Dimensions



Symbol	Dimensions In Millimeters		Dimensions In Inches	
	Min	Max	Min	Max
A	3.300	3.700	0.130	0.146
A1	1.100	1.400	0.043	0.055
b	0.380	0.550	0.015	0.022
c	0.360	0.510	0.014	0.020
D	4.300	4.700	0.169	0.185
D1	3.430		0.135	
E	4.300	4.700	0.169	0.185
e	1.270 TYP		0.050 TYP	
e1	2.440	2.640	0.096	0.104
L	14.100	14.500	0.555	0.571
Φ		1.600		0.063
h	0.000	0.380	0.000	0.015

TO-92 Suggested Pad Layout



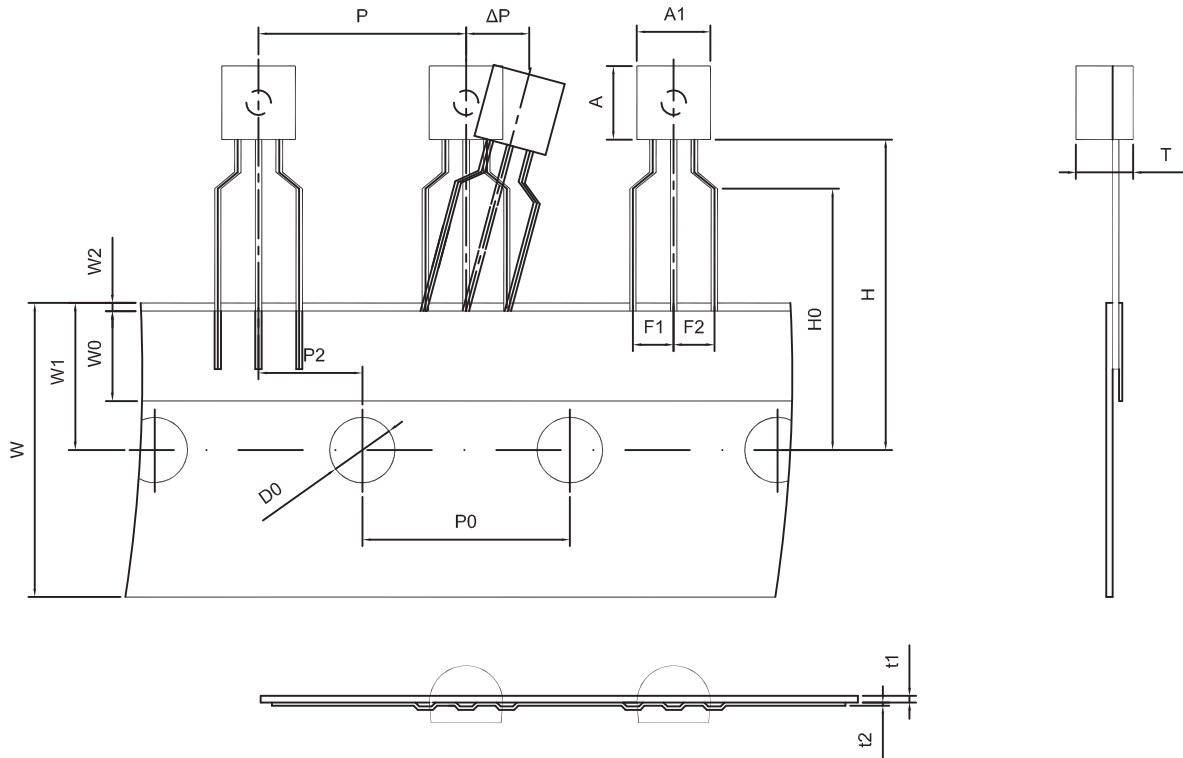
Note:

1. Controlling dimension: in millimeters.
2. General tolerance: $\pm 0.05\text{mm}$.
3. The pad layout is for reference purposes only.

NOTICE

JCET reserve the right to make modifications, enhancements, improvements, corrections or other changes without further notice to any product herein. JCET does not assume any liability arising out of the application or use of any product described herein.

TO-92 PACKAGE TAPEING DIMENSION



Dimiensions are in millimeter								
A1	A	T	P	P0	P2	F1	F2	W
4.5	4.5	3.5	12.7	12.7	6.35	2.5	2.5	18.0
W0	W1	W2	H	H0	D0	t1	t2	ΔP
6.0	9.0	1.0 MAX.	19.0	16.0	4.0	0.4	0.2	0



Package	Box	Box Size(mm)	Carton	Carton Size(mm)
TO-92	2000 pcs	333×162×43	20,000 pcs	350×340×250